

N-I/A series pressure transmitters



Key features

Simplified selection of standard configurations that are popular in nuclear power plants: Loop powered 4-20 mA/HART output, Stainless Steel or Aluminum enclosures; 316/316L stainless steel wetted parts, EPDM process seals. Teflon® (PTFE) is not used as a sealant per reactor OEM General Design Equipment Specifications and NRC Information Notice 2014-04

Overview

The N-I/A Series are nuclear qualified Foxboro™ IA/IG/IDP10S pressure transmitters that measure absolute, gauge, and differential pressures. Designed for robustness and reliability, they are considered a transmitter that can do it all, as the N-I/A range covers most application needs. The transmitters include FoxCal™ technology and multiple points of calibration, providing wide rangeability and one of the best reference accuracy turndowns on the market. Advanced performance transmitters provide an accuracy of $\pm 0.05\%$ of reading from 100% up to 4% of upper range limit (URL) making the selection of sensor range very easy. This enables you to standardize on one pressure transmitter, eliminating erroneous sensor selection, reducing inventory, and allowing fast replacement with less downtime. Ultra Energy is the exclusive distributor for Schneider/Foxboro™ pressure transmitters to the nuclear power industry in the USA and exclusively provides their nuclear qualified versions worldwide.

Technical specifications

Further features

- IEEE Class 1E mild environment in accordance with IEEE 323-1974/1983/2003, IEEE Standard for Qualifying Class 1E Equipment for Nuclear Power Generating Stations, IEEE 344-1975/1987/2004, IEEE Recommended Practices for Seismic Qualification of Class 1E Equipment for Nuclear Power Generating Stations
- Nuclear grade quality (NQA-1, 10CRF50 App. B, 10CFR21).
- Best in-class accuracy as a percentage of reading
- Unmatched 400:1 Rangedown with Patented FoxCal™ provides 11 dynamic calibrations allowing high Rangedown without sacrificing accuracy
- Gauge pressures up to 5000 psi
- Fast Response Time: < 125 ms
- TÜV SIL 2 Safety Certification Standard (4-20 mA/HART)
- Stability: < ±0.03% of URL/year for 10 years
- In-service time tracking
- Saves money by reducing inventory; one range covers many applications; classified and nonclassified for mild environments
- Supply chain solution from specialists in nuclear pressure

Nuclear qualifications

IEEE 323- 1974/1983/2003

Class 1E qualification per IEEE 323-1974/1983/2003 and IEEE 344-1975/1987/2004, SIL2/ SIL3 certified to IEC 61508 by an independent 3rd party

Both Regulatory Guide 1.89, 'Environmental Qualification of Certain Electric Equipment Important to Safety for Nuclear Power Plants' issued November 1974, and Revision 1 of Regulatory Guide 1.89, issued June 1984 endorses IEEE Std. 323-1974. Regulatory Guide 1.89 focuses on the environmental qualification of equipment intended for use in harsh environments that are subject to design-basis accidents.

Regulatory Guide 1.89 limits its scope to equipment intended for application in harsh environments; additional guidance is warranted to address qualification for mild environmental conditions, as needed for computer-based technologies.

IEEE revised the industry guidance for qualification, IEEE Std. 323, in 2003. A particular distinction between IEEE Std. 323-2003, and IEEE Std. 323-1974, is that the 2003 version does not require age conditioning to an end-of-installed-life condition for equipment in mild environments where significant aging mechanisms are not present.

The NRC regulatory guide 1.209 endorses IEEE Std. 323-2003. The practices in IEEE Std. 323-2003 are sufficiently comprehensive to address qualification for the less severe environmental conditions of typical plant locations where safety-related computer-based I&C systems are generally located. These plant areas are unaffected by design-basis accidents and the most severe conditions to which the equipment is subjected, which arise from the environmental extremes resulting from normal and abnormal operational occurrences.

IEEE 344-1975/1987/2004

The NRC issued Revision 2 of Regulatory Guide 1.100, "Seismic Qualification of Electric and Mechanical Equipment for Nuclear

Technical specifications

Nuclear qualification references:

1. IEEE Std. 323-1974/1983/2003, "IEEE Standard for Qualifying Class 1E Equipment for Nuclear Power Generating Stations," Institute of Electrical and Electronics Engineers, Piscataway, NJ
2. US NRC Regulatory Guide 1.89
3. IEEE Std. 344-1975/1987/2004, recommended Practice for Seismic Qualification of Class IE Equipment for Nuclear Power Generating Stations", Institute of Electrical and Electronics Engineers, Piscataway, NJ
4. USNRC Regulatory Guide 1.100

Seismic Accuracy

Electronics Version/Output Signal: -T (HART and 4-20 mA with SIL 2) All Ranges: $\leq \pm 5.0\%$ URL. Specifications listed reflect maximum acceptable error during seismic disturbance. Transmitters will return to within reference accuracy ($\pm 0.05\%$) after the event.

Steam pressure/temperature and post DBA

N/A

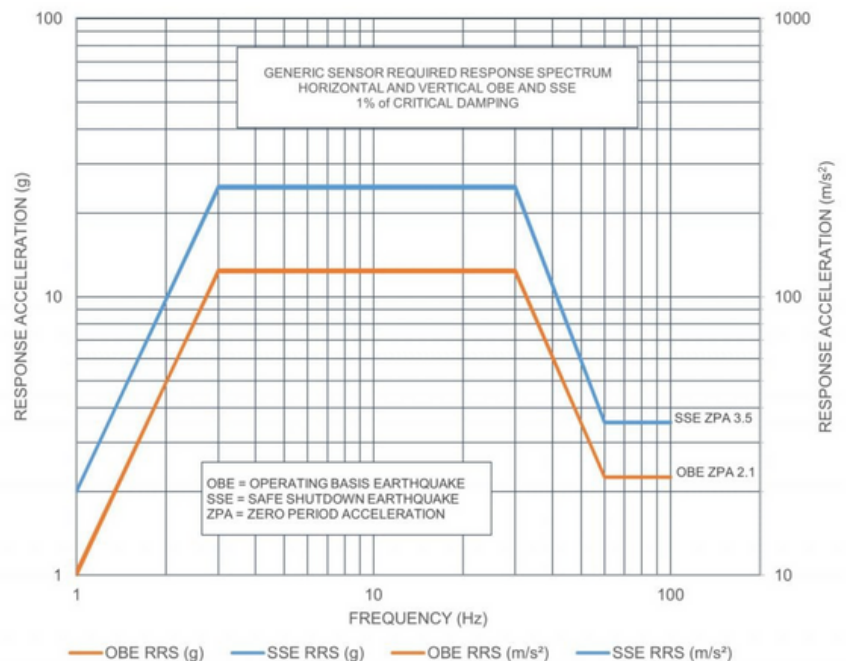
Plants", in June 1988. With a few exceptions and clarifications, it endorsed the IEEE 344-1987, issued January 1987. NRC Regulatory Guide 1.100 Revision 3 issued September 2009 endorses, with exceptions and clarifications, IEEE Std. 344-2004. The major change from IEEE Std. 344-1987 to IEEE Std. 344-2004 is the update and expansion of Clause 10, "Experience," which describes the use of experience data as a method for seismic qualification of Class 1E electrical equipment (including I&C components). Qualification of Ultra Electronics' products that do not rely in any way on experience data meet the requirements of IEEE 344-2004 and complies with USNRC Regulatory Guide 1.100 Revision 3.

Radiation applied

The N-I/A pressure transmitter contains both digital and analog electronics. It is appropriate to assume a threshold of 103 rads (10 Gy). Radiation aging for electronic equipment not required to perform a safety-related function in a high-energy line break environment and subject to lifetime doses of less than 103 rads (10 Gy) is not required for mild environment qualification. Therefore the mission life TID for N-I/A pressure transmitters is ≤ 103 rads (10 Gy).

Seismic

SSE: 25 g from 3 – 30 Hz (1% Damping); OBE 12.5 g from 3 – 30 Hz (1% Damping)



Technical specifications

Qualified life /design life

A qualified life is not applicable for mild environment equipment for which the seismic event is the exclusive design basis event to be addressed, instead of qualified life, a design life is determined. Design life is substantiated by sound bases in reliability theory and relevant industry standards, or experience data sources within the nuclear industry.

Shelf Life

Based on recommended storage environments, shelf life is not typically a significant portion of the service life. For example, ambient temperatures during storage are typically less than the operating temperatures assumed for aging calculations. Therefore, as long as equipment is in storage and is not energized (not experiencing self-heating), a reduction in service life is not appropriate. However, if storage conditions differ significantly from those recommended or the storage time becomes dramatically extended, the impact to the service life is determined by application of the Arrhenius time-temperature relationship.

Nuclear cleaning

Non-halogenated

Vibration

A field mounted transmitter may experience vibration due to its installation location. Vibration aging has not been applied in this qualification. No claim is made with regards to robustness to severe vibration for any particular time or level other than levels provided by the original equipment manufacturer's catalog specification and the DBE seismic tests conducted. In other words, the pressure transmitters are not ruggedized for operation in continuous severe vibration. The user is responsible for evaluating the installation for conditions that are adverse to reliability including excessive vibration, elevated background radiation, heat and moisture.

Hydrostatic testing

150% of maximum working pressure for DP transmitters. At overpressure limit for GP/AP transmitters.

Traceability

Per 10CFR50 Appendix B, 10CFR21, NQA-1, and ISO 9001; chemical and physical certification of pressure retaining parts.

Technical data

Feature	Description
Transient protection	The transmitter can withstand a transient surge up to 2000 V (common mode) or 1000 V (normal mode) without permanent damage. The output shift is less than 1.0%. (Per ANSI/IEEE C62.41-1980 and IEC Std. 61000-4-5.)
Power supply effects	Less than ± 0.005 percent of calibrated span per volt change.
Load effect	Not specified
Mounting position effect	You can mount the transmitter in any position. Any zero effect caused by the mounting position can be removed by re-zeroing. There is no span effect.
Power supply and load limits 4-20 mA	Operating Region: 4-20 mA: 12-44 VDC (0Ω - 1450Ω); HART: 15.5-42 VDC (250Ω - 1450Ω)
Span and zero	Digital. Ability to locally configure the device with pushbuttons on the optional local display (option code -L1). If you order them to, you can use external Zero button (option code -Z1) to zero the transmitter.
Zero elevation, zero suppression	Zero elevation and suppression must be such that neither the calibrated span nor the upper or lower range value exceeds 100% of the URL.
Rangedown	400:1
Output	Two-wire 4-20 mA, user selectable for linear or square root output. Digital process variable superimposed on 4-20 mA signal, available to any host that conforms to HART™ Protocol.
Volumetric displacement	Negligible
Enclosure rating	NEMA 4X and IP66/67

Technical data

Feature	Description
Temperature limits	Normal Operating Limits: Without or without display -40 and +85°C (-40 and +185°F) -20 to +50°C (-4 to +122°F) for biplanar AP transmitters -40 and +75°C (-40 and +167°F) for transmitters with ATEX flameproof classification. Storage and Transportation Limits-29 to +82°C (-20 to +180°F) -20 to +50°C (-4 to +122°F) for biplanar AP transmitters.
Pressure ranges DP	IDP10S: Range Code B: -200 to 200 inH2O (-500 to 500 mbar) Range Code C: -1000 to 1000 inH2O (-2500 to 2500 mbar) Range Code D: -300 to 300 psi (-20.7 to 20.7 bar) Range Code E: -3000 to 3000 psi (-207 to 207 bar).
Pressure ranges GP	IGP10S: Biplanar Structures Range Code B: 0 to 200 inH2O (0 to 50 kPa) Range Code C: 0 to 1000 inH2O (0 to 250 kPa) Range Code D: 0 to 300 psi (0 to 2070 kPa) Range Code E: 0 to 3000 psi (0 to 20.7 MPa) Range Code F: 0 to 5000 psi (0 to 34.5 MPa).
Pressure ranges AP	IAP10S: Biplanar Structures Range Code B: 0 to 200 inH2O (0 to 50 kPa) Range Code C: 0 to 1000 inH2O (0 to 250 kPa) Range Code D: 0 to 300 psi (0 to 2070 kPa) Range Code E: 0 to 3000 psi (0 to 20.7 MPa) Range Code F: 0 to 5000 psi (0 to 34.5 MPa).
Static pressure and overpressure limits	DP Transmitters and Biplanar AP and GP Transmitters MWP/Maximum Static and Overrange Pressure: Standard (B7 steel) with Span Codes A to E, or with Option -B2 (17-4 PH ss): 3,626 psi (25 MPa); With Option - B1 (316 SS bolts): 2,175 psi (15 MPa) Standard with Span Code F: 5,800 psi (40 MPa) Pressure ratings may be affected by bolting options and other model code selections, not all options are listed here.
Response time	DP and Biplanar AP/GP response time: < 125 ms Damping is user-selectable to values of 0, 0.25, 0.5, 1, 2, 4, 8, 16, or 32 seconds. Selecting a value of DAMP 0 in the Damping menu provides the fastest response.

Technical data

Feature	Description
Humidity limits	0–100 percent relative humidity
Turn-on time	Not specified
Isolating diaphragms	316L SST (UNS S31603)
Drain vent valve	316 SST
Process flange	316 SST
Process seal	EPDM
Electronics housing O-ring	Not specified
Fill fluid	Silicone
Sensor module housing	316 SST
Flange bolt	316 ss Bolts and Nuts (MWP derated to 2175 psi); or 17-4 PH ss Bolts and Nuts (no pressure derating).
Electronics housing	Housing and covers are made from low copper (0.6% maximum) die-cast aluminum alloy with an epoxy finish, or from 316 ss.
Mounting Bracket and bolts	Stainless steel
Process Connections	1/4 NPT
Electrical connections	1/2" NPT, Aluminum Housing; 1/2" NPT, 316 ss Housing.
Weight	Biplanar or Traditional DP Structure, Aluminum, without Process Connectors 3.5 kg (7.8 lb); Optional Display Add 0.2 kg (0.4 lb); Substitute 316 ss Housing Add 1.1 kg (2.4 lb).

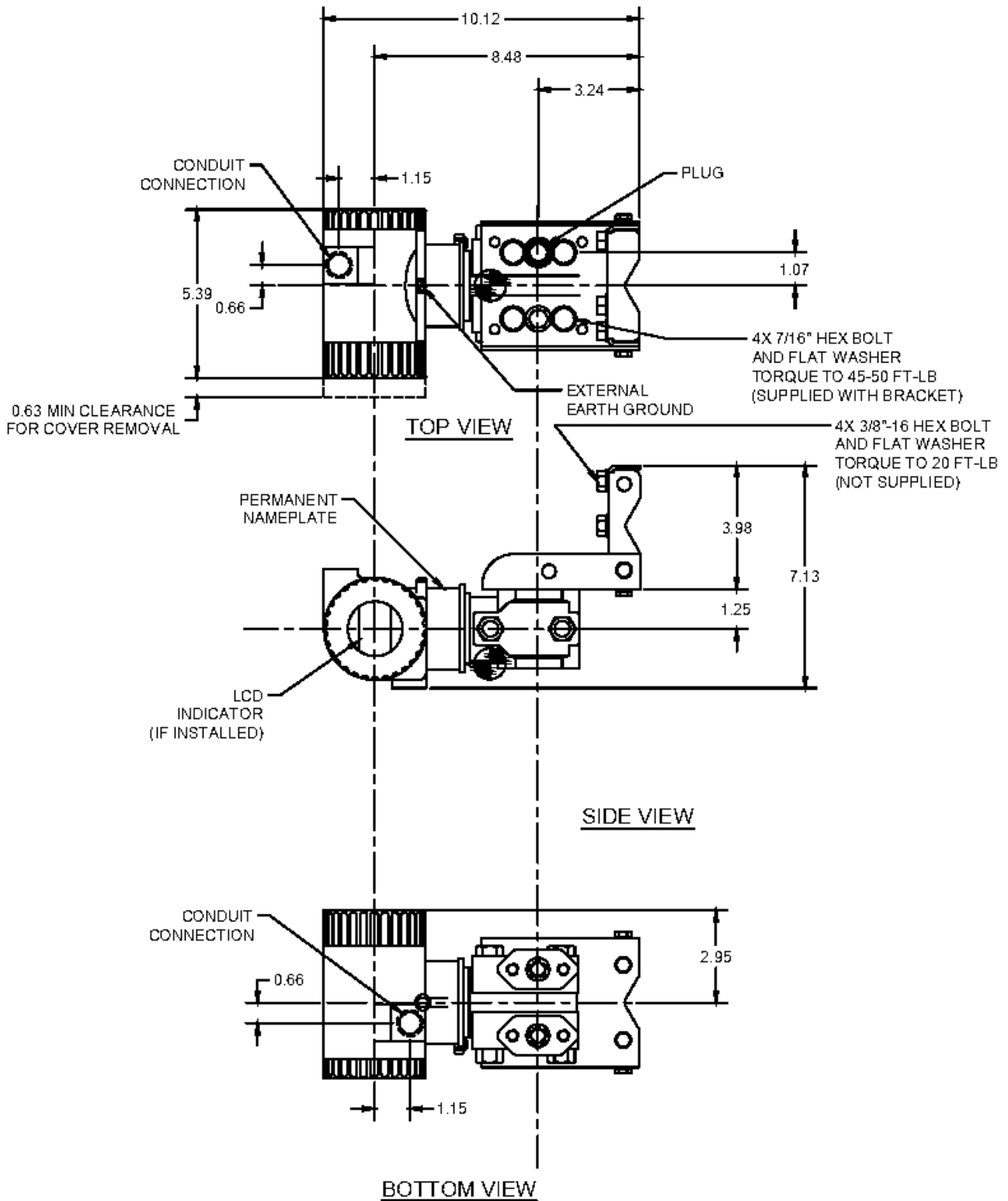
Technical specifications

Model codes

Model - Required Selections		N-IA Series Model Configurator								
N-IDP10S	Differential Pressure Transmitter									
N-IAP10S	Absolute Pressure Transmitter									
N-IGP10S	Gauge Pressure Transmitter									
Output Signal										
T	Digital, 4 to 20 mA HART									
Structure Code										
Code	Process Cover	Sensor Material		Fill Fluid						
22	316 ss	316L ss		Silicone						
Span										
Code	Range	Units								
B	200	inH2O								
C	1000	inH2O								
D	300	psi								
E	3000	psi								
F	5000	psi (Range Code F valid for AP/GP only)								
Process Connector (football)										
0	None (applies to DP only)									
Conduit Connection and Housing Material										
1	1/2 NPT, Aluminum Housing									
3	1/2 NPT, 316 ss Housing									
Electrical Certifications										
AP	ATEX multiple certifications									
CP	CSA multiple certifications									
FP	FM multiple certifications									
ZZ	No certification									
Optional Selections										
Optional Digital indicator with Pushbuttons										
-L1	Digital Display, Pushbuttons and Window Cover									
Optional Cleaning and Preparation										
-X1	Degreased									
Optional Bolting for Process Covers										
-B1	316 ss Bolts and Nuts (MWP derated to 2175 psi)									
-B2	17-4 PH ss Bolts and Nuts (no pressure derating)									
Optional Electronics Housing Features										
-Z1	External Zero Adjustment									
Miscellaneous Optional Selections										
-K2	FoxDoc DVD-ROM (instead of "Getting Started" Guide)									
-V5	Vent Screw in side of each Process Cover (-V for DP)									
Ultra Supplied Options										
Mounting Bracket										
-UB	Seismic, PN 1000-520-0015T									
-UT	Customer Tag									
-UV	Vent valve in process ports									
-UZ	Other Special Requirements									
N-IDP10S	T	22	B	0	3	FP	-L1 -X1	ECEPC#	-UB -UT	=== Example Model Number

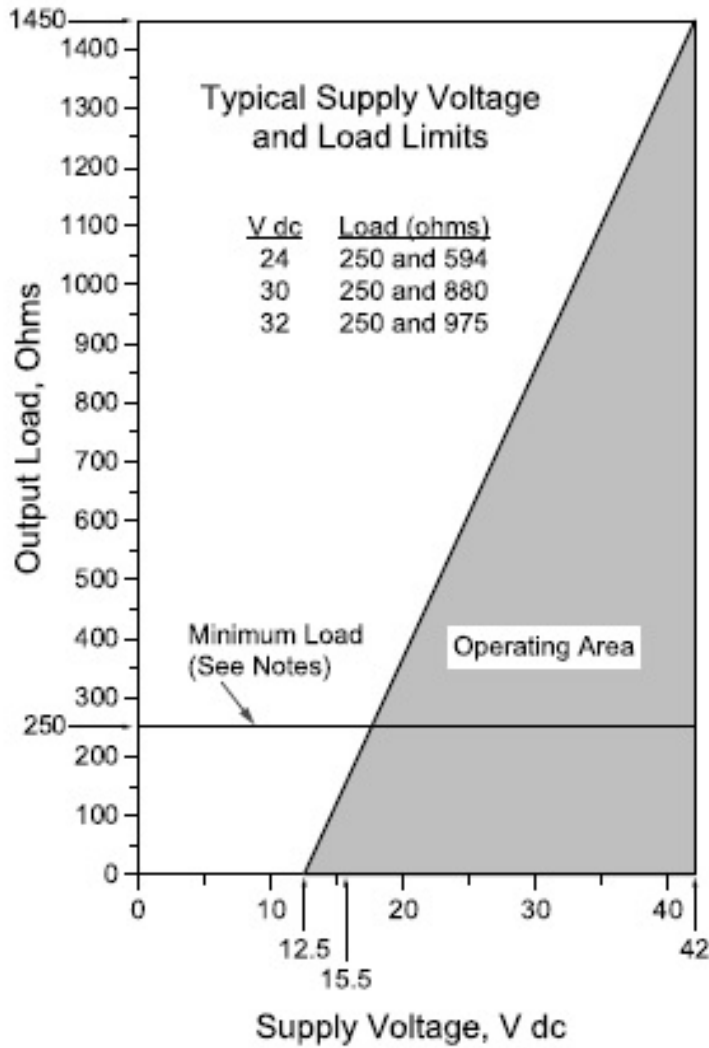
Technical specifications

Dimensional drawings



Technical specifications

4-20 mA output supply voltage to output load



NOTES:

1. The minimum voltage for HART communication is 15,5 V dc.
2. The minimum load for the HART Communicator is 250 ohms.
3. The transmitter can function with an output load less than the minimum, but using a remote configurator while operating in this area will result in output and/or communication disturbances.

	HART Communication	No HART Communication
Minimum Resistance	250 Ω	0 Ω
Minimum Supply Voltage	15.5 V dc	12.5 V dc
Maximum Supply Voltage	42 V dc	

Technical specifications

Letter of equivalency

Life Is On

Foxboro
by Schneider Electric

February 11, 2019

Dear Customer,

Subject: Schneider Electric Pressure Transmitters

Thank you for choosing Foxboro by Schneider-Electric for many years as your go-to-market partner in your industry. Since 2015, Schneider-Electric has made several changes to the pressure product that allows end users get better performance, reduce maintenance, and improve ease of use with new range of pressure transmitters. This new generation of best-in-class pressure transmitters offer patented embedded FoxCal™ technology and has been designed to simplify the selection of transmitter ranges while reducing storeroom stock.

To help you to better perceive the changes between the traditional Foxboro IA Series and new Schneider Electric Pressure Transmitters, please refer to the following sections.

Software	Schneider Electric introduced FoxCal technology which consists in the integration of 11 calibration curves in the transmitter memory and a patented software that selects the best calibration curve according to the pressure input. This feature can also be turned off if the user is still requiring a traditional 2-point calibration curve.
Hardware	Mechanical parts and design remained <u>unchanged</u> , except for color change, as Schneider Electric is capitalizing on the existing experienced and rugged design. To comply to SIL2 certification, an addition of a readback signal on SI Board was implemented.

We remain at your disposal to provide any additional documentation you would require or answer any additional questions.

Yours faithfully,

Vincent Decobecq

Pressure Product Marketing Department
Process Automation – Analyzers & Instrumentation
Industry Business

Foxboro
38 Neponset Avenue
Foxboro, MA 02035
Global: +1-508-549-2424
Toll Free: 1-866-746-6477
www.schneider-electric.com

About Ultra Energy

Organizations working with nuclear and industrial technologies must deliver reliable production at the same time as safeguarding people, the environment and infrastructure. We develop and manufacture measurement and control solutions that give our customers complete, long-term control over systems operating in harsh environments, helping them operate safely and increasing the value derived from their investments over their total lifespan.

Part of Ultra Group, a global electronics company, Ultra Energy has worked with nuclear and industrial customers for over 60 years. We support customers across the world from facilities located in the US and UK. Our solutions are embedded in strategic national infrastructure and our people are active partners in customer programs that are focused on delivering advanced future nuclear and industrial capabilities.

United States of America

707 Jeffrey Way
Round Rock
Texas 78665-2408
USA

Tel: +1 512-434-2800

United Kingdom

Innovation House
Lancaster Road
Ferndown Industrial Estate
Wimborne
Dorset BH21 7SQ
UK

Tel: +44 (0) 1202 850 450

For more information

Web: ultra.energy

Email: sales@ultra-nspi.com