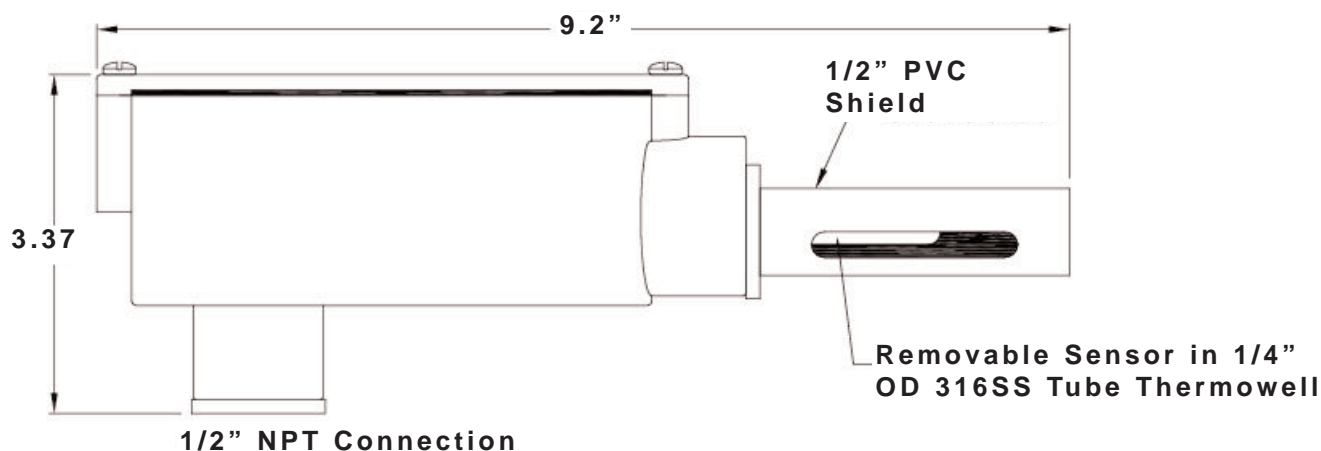


Model 743 Outside Air Sensor



- Unique design to provide accurate temperature indication of outside air.
- PVC weather resistant housing and sun shield provide excellent UV aging and corrosion resistance and are U/L listed.
- Integrated sun shield is designed to prevent ice buildup and eliminate incorrect readings caused by exposure to direct sunlight. Shield's two slots allow efficient air flow across the temperature sensor. This model is available with water resistant housing and the sensor is easily removed for maintenance.
- Ideal for remote sensing when used in conjunction with the Sensor-Mate® Temperature Transmitter.



Specifications:

Element Type:	Code PB	Platinum RTD, 100 ohms @ 0°C (32°F), 0.00385055 TCR (DIN B)
	PC	Platinum RTD, 1000 ohms @ 0°C (32°F), 0.00385055 TCR (DIN B)
	TM	Thermistor, 10,000 ohms @ 25°C (77°F)
Max. Operating Temperature:	90°C (194°F)	
Sensor Lead Wire:	RTD	Three 24 AWG Teflon insulated
	Thermistor	Two 20 AWG polyolefin insulated
Insulation Resistance:	Minimum 100 megohms @ 100 VDC @ 21°C (70°F)	
Stability:	RTD	Typically, 0.26°C (0.47°F) over 5 years
	Themistor	Typically, 1°C (1.8°F) over 5 years
Accuracy:	RTD	± 0.3°C @ 0°C (± 0.56 °F @ 32°F)
	Thermistor	± 0.2°C, from 0°C to 87°C (± 0.36 °F, from 32°F to 158°F)
	With Transmitter	Add 0.08% of span (RTD only)

Code	Outside Air Sensor
743-PB	RTD, 100 ohms @ 0°C (32°F) (DIN B)
743-PC	RTD, 1000 ohms @ 0°C (32°F) (DIN B)
743-TM	Thermistor, 10,000 ohms @ 25°C (77°F) - not available with transmitter Add code "MT" for matched calibrated to transmitter. See RTD General Specifications.

Code	Housing
-	PVC weather resistant box - Industry Standard
W	Painted steel box with cover, NEMA 4

For RTD assemblies with Sensor-Mate® Temperature Transmitter

Model	Sensor-Mate® Transmitter
4500H	100 ohm Pt RTD input/ PC programmable/ 4-20mA output
4554H	1000 ohm PT RTD input/ 4-20mA output
Code	Temperature Range
(__ to __)	Specify °C or °F

743-PB -	/	4554H - (0° to 100°F)	← Sample Model Number (Sensor with Transmitter)
743-PB -			← Sample Model Number (Sensor without Transmitter)
-	/	-	← Your Model Number