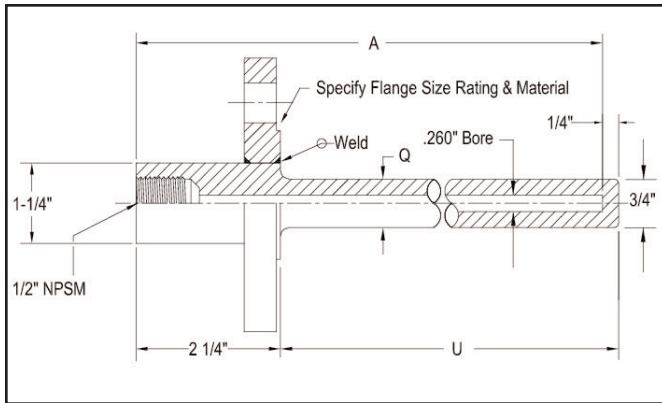


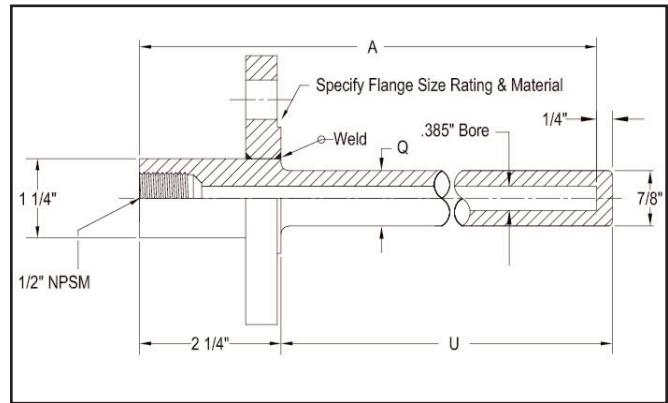
Flanged Thermowells

Flanged (F) & Tapered Flanged (FH)

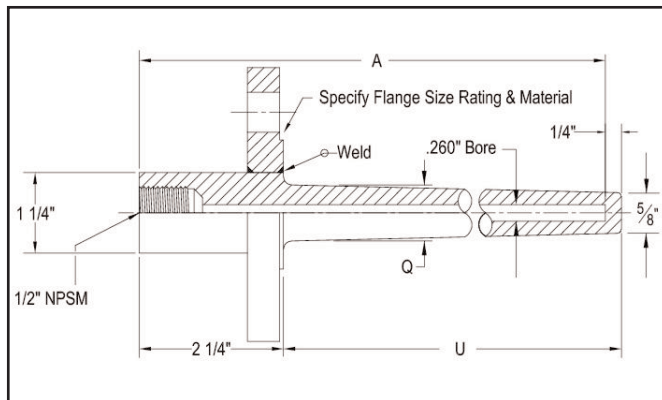
Available in 260 bore for 1/4" diameter sensors and 385 bore for 3/8" diameter sensors.



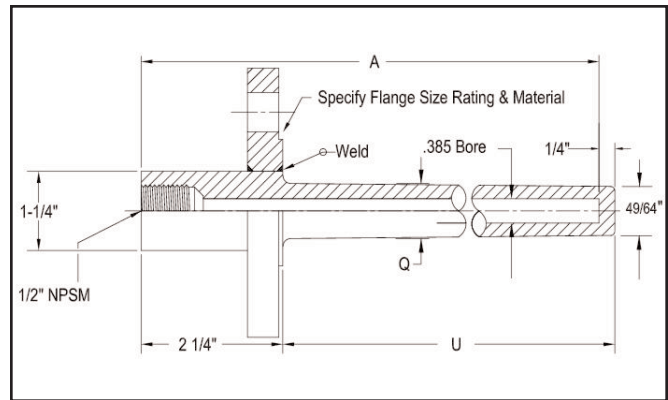
Flanged (F), .260" Bore (Straight)



Flanged (F), .385" Bore (Straight)



Flanged (FH), .260" Bore (Tapered)



Flanged (FH), .385" Bore (Tapered)

Model	Bore and Thermowell Type
F260	.260" Bore - Flanged
F385	.385" Bore - Flanged
FH260	.260" Bore - Tapered Flanged
FH385	.385" Bore - Tapered Flanged

Insertion Length	Stem Length "A"	Insertion Length "U"	Shank Diameter "Q"
U2	4"	2"	For F260: 3/4"
U4	6"	4"	For F385: 7/8"
U7	9"	7"	For FH260: 7/8"
U10	12"	10"	For FH385: 7/8"
U13	15"	13"	
U16	18"	16"	
U22	24"	22"	
Other	Consult Factory		

Material	Thermowell Material
316SS	AISI-316 SS - Standard
304SS	AISI-304 SS
Brass	Brass
CS	Carbon Steel
Monel	Monel 400
Other	Consult Factory

Flange Size
1"
1 1/2"
2"

Flange Rating
150#
300#
400-600#
900-1500#

Flange Facing	
RF	Raised Face (Specify 125 RMS smooth face, N/C)
FF	Flat Face
RTJ	Ring Type Joint

Flange	Flange Material
316SS	AISI-316 SS- Standard
304SS	AISI-304 SS
Brass	Brass
CS	Carbon Steel
Monel	Monel 400
Other	Consult Factory

F260	-	U4	-	316SS	-	1"	-	150#	-	RF	-	316SS	Sample Model Number
-	-	-	-	-	-	-	-	-	-	-	-	-	Your Model Number

Specifications:

Thermowell Style:	Specify Style and Bore.
Insertion Length:	From bottom of flange to tip of thermowell. Standard sizes listed - other sizes available.
Materials:	Standard materials listed - others available. Refer to the Corrosive Service Guide in the Thermowell General Specifications to determine suitable material for specific application.
Flange:	Specify flange size, rating and facing.
Cap & Chain:	Brass cap and chain is available for keeping well bore clean when not in use. Add "CC" to the end of your model number to order this option.

