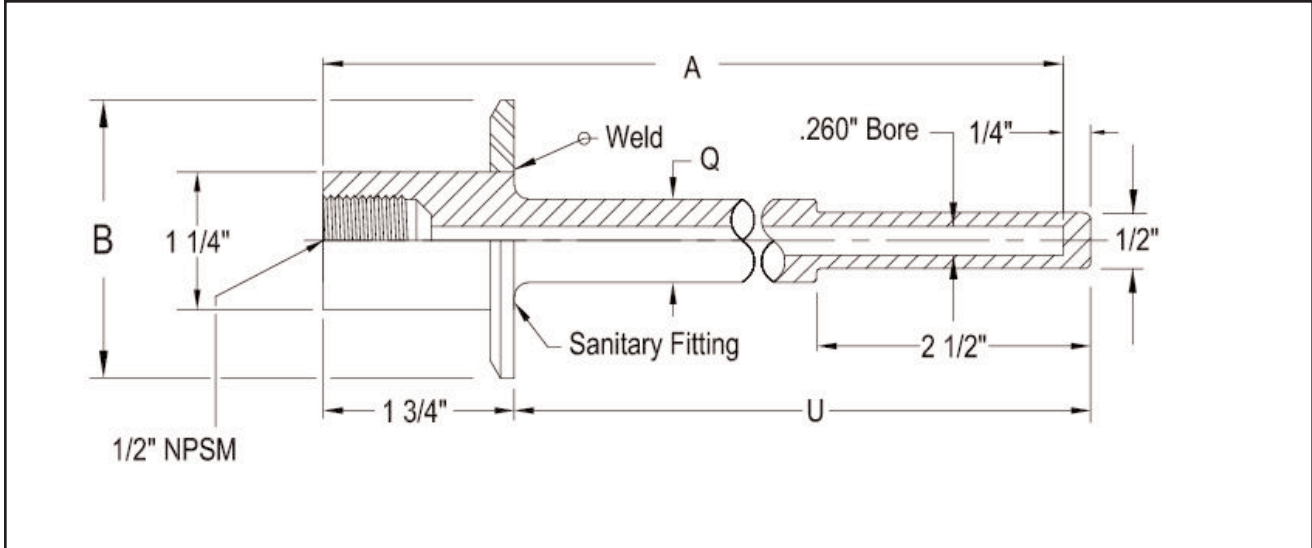
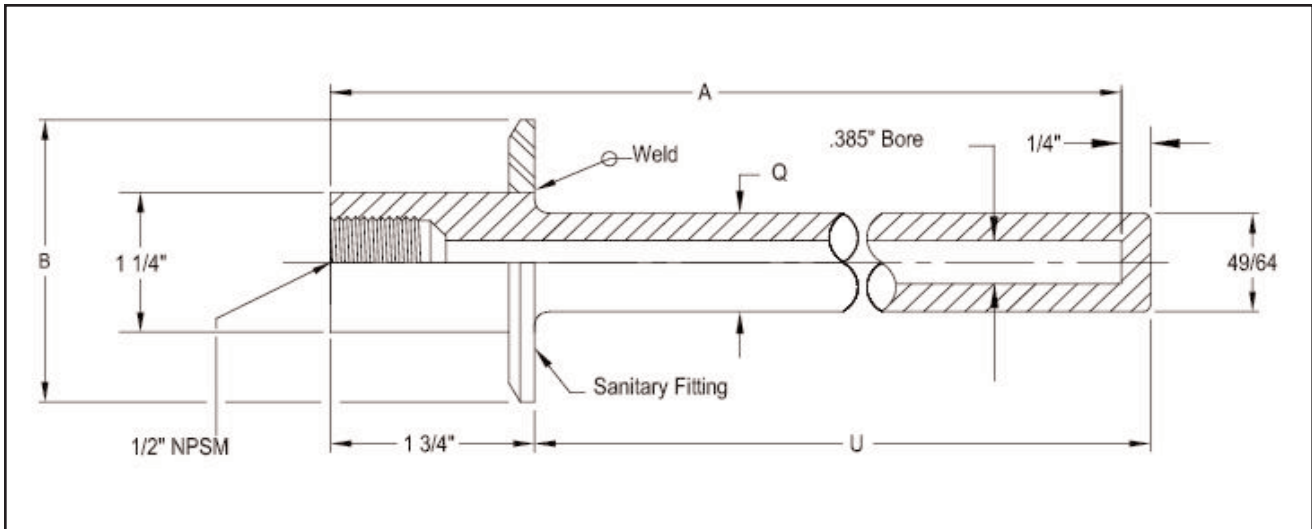


## Sanitary Thermowells

Available in 260 bore for 1/4" diameter sensors and 385 bore for 3/8" diameter sensors.



Sanitary .260" Bore



Sanitary .385" Bore

Model	Bore and Thermowell Type		
Sanitary 260	.260" Bore		
Sanitary 385	.385" Bore		
Insertion Length	Stem Length "A"	Insertion Length "U"	Shank Diameter "Q"
U2 1/2	4"	U 2 1/2"	San 260: 3/4"
U4 1/2	6"	U 4 1/2"	San 385: 49/64"
U7 1/2	9"	U 7 1/2"	
U10 1/2	12"	U 10 1/2"	
U13 1/2	15"	U 13 1/2"	
U16 1/2	18"	U 16 1/2"	
U22 1/2	24"	U 22 1/2"	
Other	Consult Factory		
Material			
316LSS	AISI-316LSS - Standard		
304SS	AISI-304 SS		
Brass	Brass		
Monel	Monel 400		
Other	Consult Factory		
Code	Sanitary Fitting		
A	Ladish Tri-Clover		
G	Cherry -Burrell		
Cap	Nominal Size "B"	Actual Size (for reference only)	
	0.5	0.984	
	0.75	0.984	
	1.0	1.984	
	1.5	1.984	
	2.0	2.516	
	2.5	3.047	
	3.0	3.579	
Material	B = 316LSS - Standard		

San260	-	U2 1/2	-	316LSS	-	A2.0B	Sample Model Number
-	-	-	-	-	-	-	Your Model Number

**Specifications:**

Thermowell Style:	Specify style and bore.
Insertion Length "U":	From bottom of cap to tip of thermowell. Standard sizes listed - other sizes available.
Materials:	Standard materials listed - others available. Refer to the Corrosive Service Guide in the Thermowell General Specifications to determine suitable material for specific application.
Fitting:	Specify sanitary cap dimension and material.
Cap & Chain:	Brass cap and chain is available for keeping well bore clean when not in use. Add "CC" to the end of your model number to order this option.